

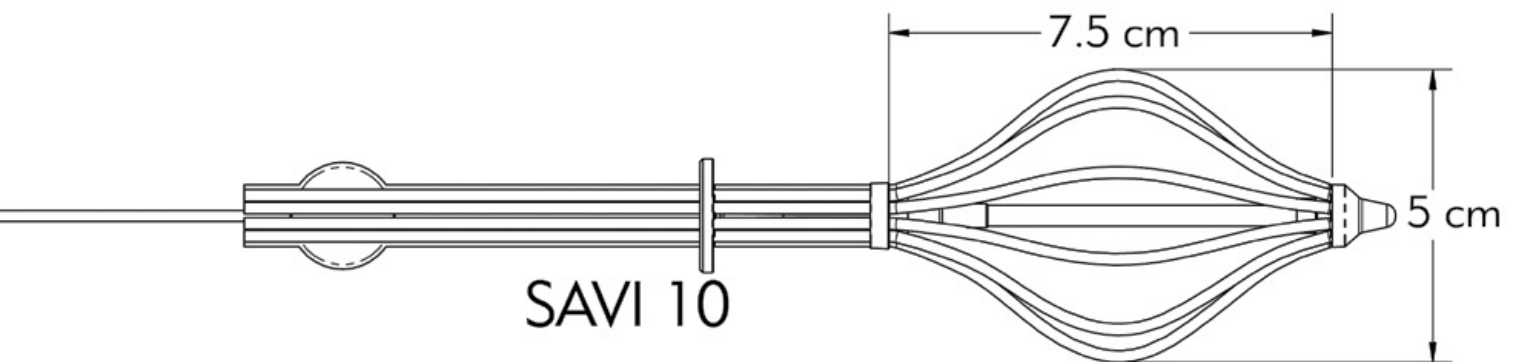
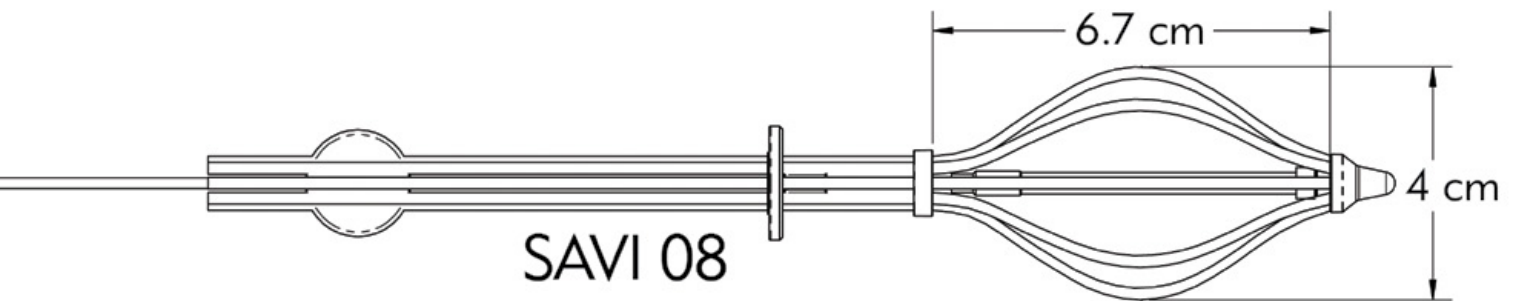
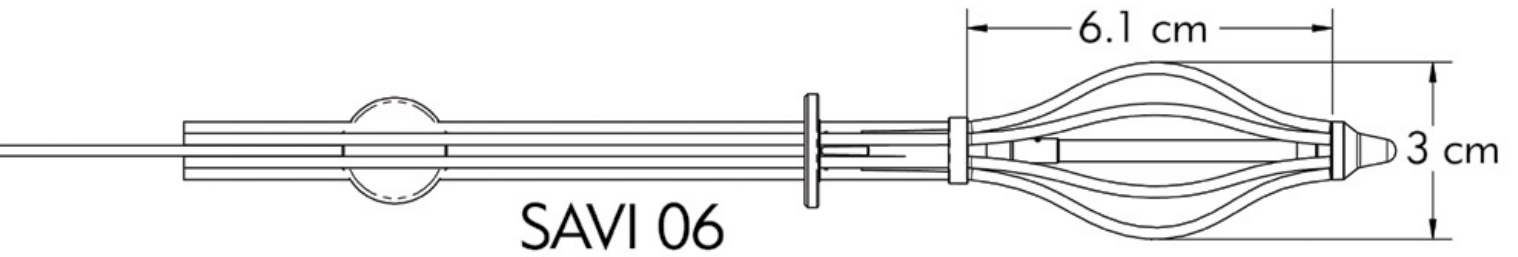


SIZE REFERENCE CHART

		DIAMETER		
		2–3cm	3–4cm	4–5cm
LONG AXIS	2–3cm	SAVI Prep (20cc) 6-1Mini	—	—
	3–4cm	SAVI Prep (20cc) 6-1Mini	SAVI Prep (20cc) 6-1Mini	
	4–5cm	SAVI Prep (20cc) 6-1Mini	SAVI Prep (20cc) 6-1Mini	SAVI Prep (30cc) 6-1
	5–6cm	SAVI Prep (30cc) 6-1	SAVI Prep (30cc) 6-1	SAVI Prep (40cc) 8-1
	6–7cm	SAVI Prep (30cc) 6-1	SAVI Prep (40cc) 8-1	SAVI Prep (40cc) 8-1
	7–8cm	SAVI Prep (40cc) 8-1	SAVI Prep (60cc) 10-1	SAVI Prep (60cc) 10-1

This chart is for reference only. Not intended to replace clinician discretion.

1. **S**IZE THE CAVITY—Measure the long axis and diameter of cavity under US
2. **A**PPLY THE SAVI PREP CATHETER (SPC)—Fill SPC with saline based upon probable SAVI size **until resistance** is achieved
3. **V**ERIFY CONFORMANCE—Using ultrasound, confirm conformance of SPC to cavity. If necessary, increase fill volume until conformance is achieved
4. **I**NSERT SAVI—Compare measurement and select proper size



Before using refer to Instructions for Use for indications, contraindications, warnings, precautions, and directions for use.



Merit Medical Systems, Inc.
 1600 West Merit Parkway
 South Jordan, Utah 84095
 Main: +1.801.253.1600
 Customer Service: +1.801.208.4300

Merit Medical Europe, Middle
 East, & Africa (EMEA)
 Amerikalaan 42, 6199 AE
 Maastricht-Airport
 The Netherlands
 +31 43 358 82 22

Merit Medical Ireland Ltd.
 Parkmore Business Park West
 Galway, Ireland
 +353 (0) 91 703 733