

CHOOSE YOUR PATH

Bone Biopsy Systems

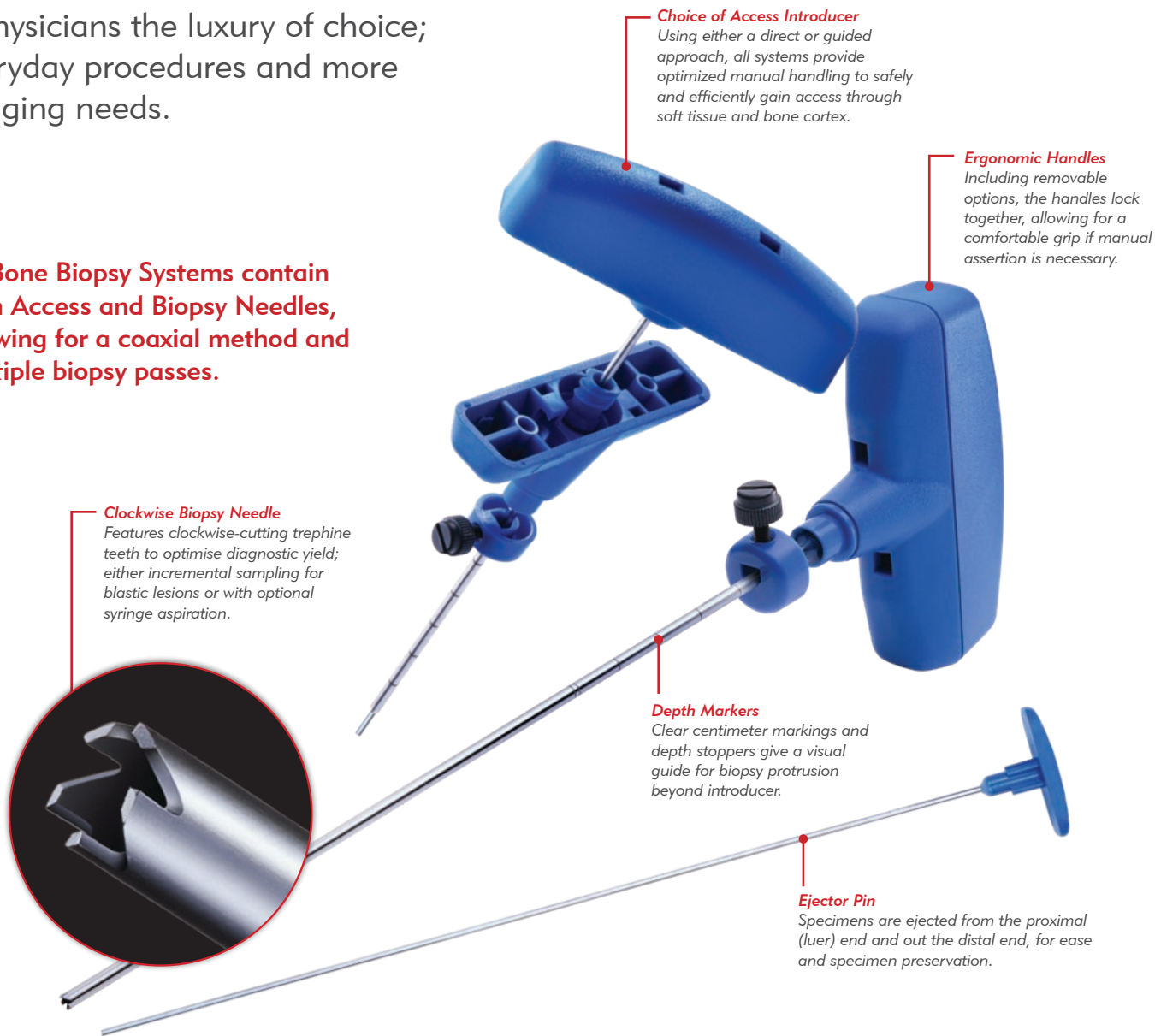


Bone Biopsy Systems

THE MERIT BONE BIOPSY SYSTEMS

offer physicians the luxury of choice; for everyday procedures and more challenging needs.

All Bone Biopsy Systems contain both Access and Biopsy Needles, allowing for a coaxial method and multiple biopsy passes.



Choice of Access Introducer

Using either a direct or guided approach, all systems provide optimized manual handling to safely and efficiently gain access through soft tissue and bone cortex.

Ergonomic Handles

Including removable options, the handles lock together, allowing for a comfortable grip if manual assertion is necessary.

Clockwise Biopsy Needle

Features clockwise-cutting trephine teeth to optimise diagnostic yield; either incremental sampling for blastic lesions or with optional syringe aspiration.

Depth Markers

Clear centimeter markings and depth stoppers give a visual guide for biopsy protrusion beyond introducer.

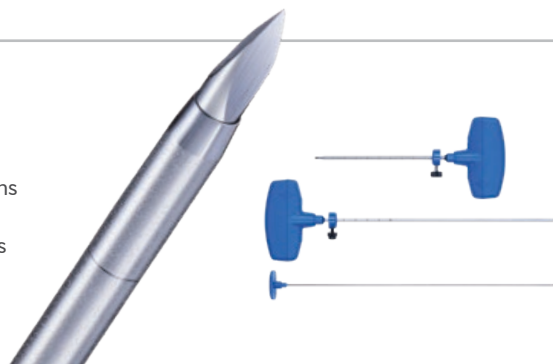
Ejector Pin

Specimens are ejected from the proximal (luer) end and out the distal end, for ease and specimen preservation.

WESTBROOK™

Basic Bone Biopsy System

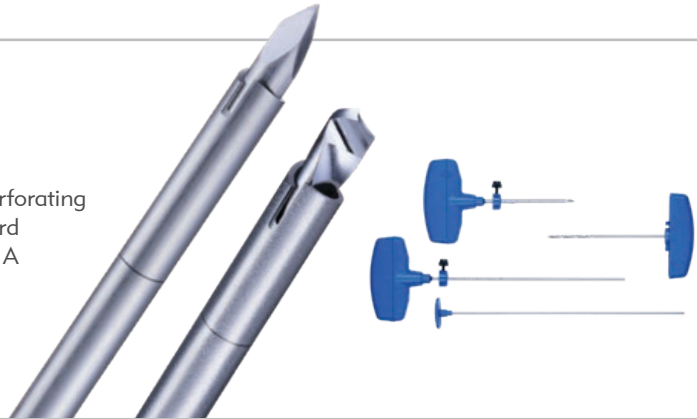
The entry-level system, this is designed for accessing superficial lesions in soft or normal-density bone. Used with direct access when it is not necessary to cross bony tissue before sampling, this system still allows for multiple, high-grade sampling in mixed-density masses.



MADISON™

Perforating Bone Biopsy System

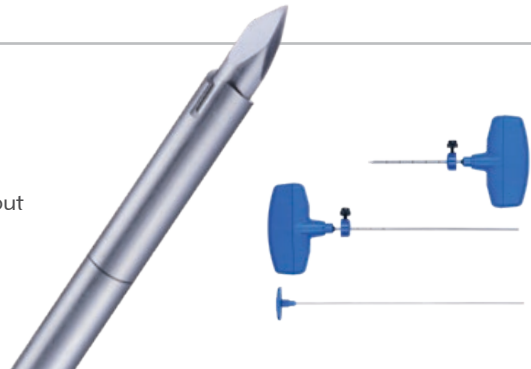
This direct access system has the patented hard bone perforating cannula and drilling technology if required to traverse hard bone and reach deep-set or small cortical abnormalities. A range of sizes make this a popular choice for both axial and appendicular cases, and the drill is locked at a set distance whilst drilling to maximise accuracy in cannula placement and sampling precision.



MADISON™ MINI

Small Bone Biopsy System

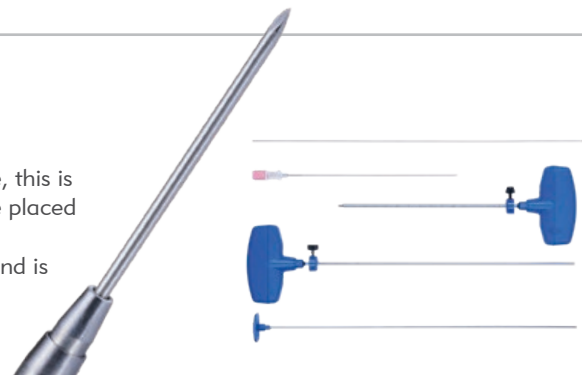
The Madison's 'little sister', this direct-access 13G system has no drill but features a perforating cannula with removable handle. This minimizes exterior weight and size and is extremely useful for small rounded bones with little soft-tissue surroundings.



KENSINGTON™

Guide Wire Bone Biopsy System

Using guided access originally inspired by the Seldinger technique, this is the original coaxial system. With a smooth, tapered access needle placed directly over a 20G wire through the line of anesthesia this choice assists in creating a less traumatic pathway through soft tissues, and is designed to lesson exposure by minimizing repeat scanning.



HUNTINGTON™

Guided, Perforating Bone Biopsy System

Engineered to improve initial purchase on the cortex even in oblique approaches, the tri-angled drill-tip introducer provides a collection channel for bone evacuation upon first contact with bone. Accommodating the thin guide wire when Seldinger-inspired technique is desired, moving introducer counter-clockwise through soft tissue will minimise trauma, yet turning clockwise will immediately engage in cortex. An optional drill is included to work with the perforating cannula to further traverse bone where necessary.



Ordering Information



Systems in 11G contain 13G* Biopsy Needles.

Systems in 13G contain 15G* Biopsy Needles.

| Catalog Number | Merit Bone Biopsy Systems | Product Size* |
|-----------------|---|---------------|
| KBD1110 | Westbrook™ Bone Biopsy System | 11G, 10cm |
| KBD1115 | Westbrook™ Bone Biopsy System | 11G, 15cm |
| KBC1110 | Kensington™ Guide Wire Bone Biopsy System | 11G, 10cm |
| KBC1115 | Kensington™ Guide Wire Bone Biopsy System | 11G, 15cm |
| KDPD1165 | Madison™ Perforating Bone Biopsy System with Drill | 11G, 6.5cm |
| KDPD1185 | Madison™ Perforating Bone Biopsy System with Drill | 11G, 8.5cm |
| KDPD1110 | Madison™ Perforating Bone Biopsy System with Drill | 11G, 10cm |
| KDPD1115 | Madison™ Perforating Bone Biopsy System with Drill | 11G, 15cm |
| KDPD139 | Madison™ Perforating Bone Biopsy System with Drill | 13G, 9cm |
| KDP136 | Madison™ Mini Bone Biopsy System | 13G, 6cm |
| OM1165 | Huntington™ Guided, Perforating Bone Biopsy System with Drill | 11G, 6.5cm |
| OM1110 | Huntington™ Guided, Perforating Bone Biopsy System with Drill | 11G, 10cm |
| OM1115 | Huntington™ Guided, Perforating Bone Biopsy System with Drill | 11G, 15cm |

| Catalog Number | Preston™ Bone Accessories** | Product Size* |
|----------------|---|---------------|
| ANP1165 | Preston™ Hard Bone Access Needle with Drill | 11G, 6.5cm |
| ANP1185 | Preston™ Hard Bone Access Needle with Drill | 11G, 8.5cm |
| ANP1110 | Preston™ Hard Bone Access Needle with Drill | 11G, 10cm |
| ANP1115 | Preston™ Hard Bone Access Needle with Drill | 11G, 15cm |
| KTP1110 | Preston™ Hard Bone Introducer | 11G, 10cm |
| KTP1115 | Preston™ Hard Bone Introducer | 11G, 15cm |
| CD1110 | Preston™ Bone Biopsy Needle | 13G, 20cm |
| CD1115 | Preston™ Bone Biopsy Needle | 13G, 24cm |
| ML1110 | Preston™ Long Drill | 13G, 18.6cm |
| ML1115 | Preston™ Long Drill | 13G, 23.6cm |
| TV1110 | Preston™ Transpedicular Introducer | 11G, 10cm |
| TV813 | Preston™ Transpedicular Introducer | 8G, 13cm |
| MV1110 | Preston™ Transpedicular Drill | 13G, 13.7cm |
| CR1320 | Preston™ Bone Fillers | 13G, 20cm |
| CR1020 | Preston™ Bone Fillers | 10G, 20cm |

*Product size refers to access needles when describing Merit Bone Biopsy Systems. Gauge sizes may be closest approximate.

**Preston™ Bone Accessories are designed for use with Merit Bone Biopsy Systems or other Preston™ accessories. Use with other devices is the choice of the performing physician, and may be considered off-label

Before using refer to Instructions for Use for indications, contraindications, warnings, precautions, and directions for use.



Understand. Innovate. Deliver.™

Merit Medical Systems, Inc.
1600 West Merit Parkway
South Jordan, Utah 84095
1.801.253.1600
1.800.35.MERIT

Merit Medical Europe, Middle East, & Africa (EMEA)
Amerikalaan 42, 6199 AE Maastricht-Airport
The Netherlands
+31 43 358 82 22

Merit Medical Ireland Ltd.
Parkmore Business Park West
Galway, Ireland
+353 (0) 91 703 733

merit.com

Australia
+61 (0) 3 8373 4943

Austria
0800 295 374

Belgium
0800 72 906 (Dutch)
0800 73 172 (Français)

Brazil
+55 11 4561 - 0062

Canada
1.800.364.4370

China
+86-10 8561 0788

Denmark
80 88 00 24

Finland
0800 770 586

France
0800 91 60 30

Germany
0800 182 0871

Hong Kong
+852-2207 6888

India
+91-80-41223376

Ireland (Republic)
1800 553 163

Italy
800 897 005

Luxembourg
8002 25 22

Netherlands
0800 022 81 84

Norway
800 11629

Portugal
308 801 034

Russia
+7 495 221 89 02

Singapore
+65 67536311

South Korea
+8210 2205 0707

Spain
+34 911238406

Sweden
020 792 445

Switzerland
(Deutsch)
+41 22 518 02 30

(Français)
+41 22 518 02 52

(Italiano)
+41 22 518 00 35

UK
0800 973 115